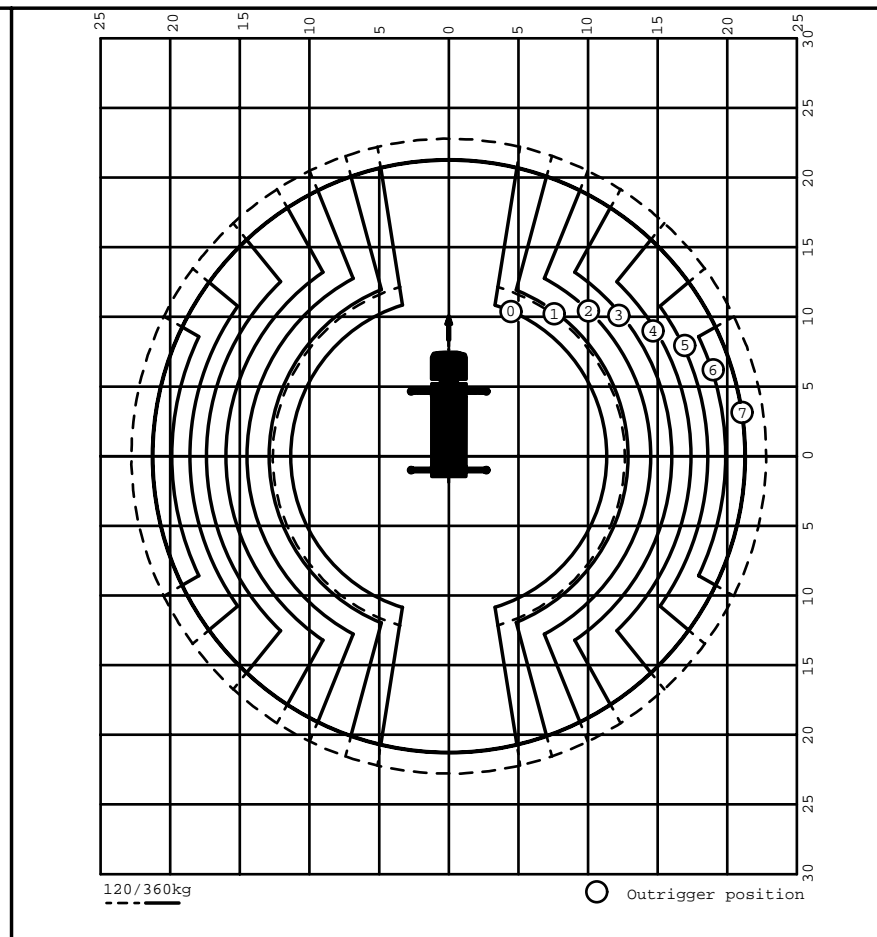
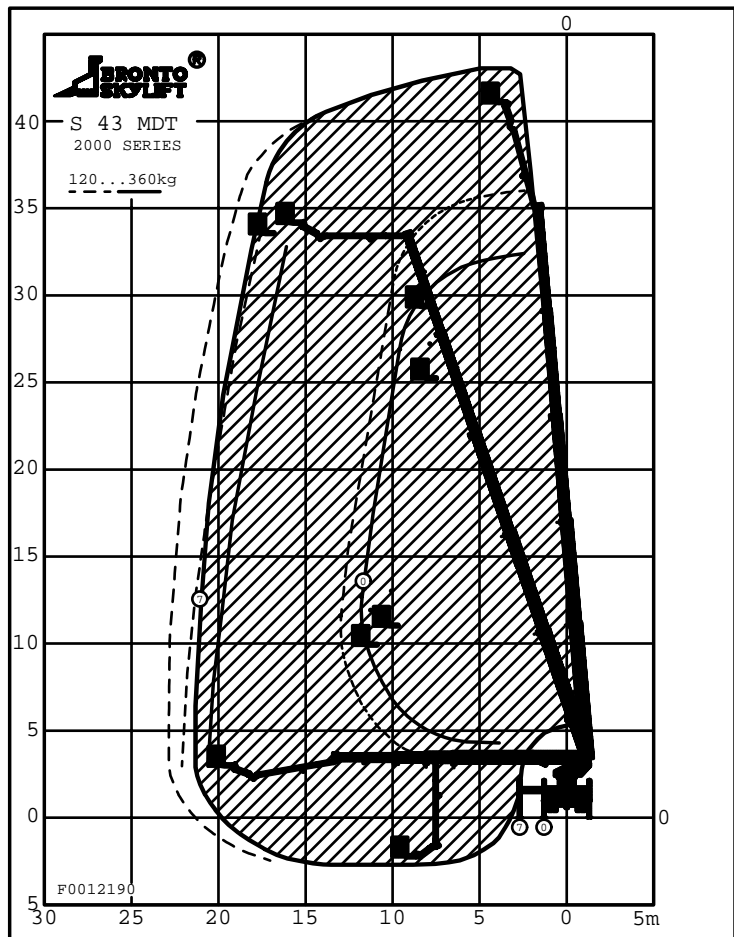


NOTE1 :PRELIMINARY  
 NOTE2 :  
 REMARKS GWV 17.5 ton



TECHNICAL DATA

Safe working load max.	: 360 kg
Max. permitted wind speed	: 12.5 m/s
Typical GWV	: 17.5 ton
operating weight min.	: 17.1 ton
Outrigger width and lenght c/c	
- normal jacking	: 5.4/5.7 m
- narrow jacking	: 2.6/5.7 m
- one side jacking	: 4.0/5.7 m
Calculation code	: 1131

Lasolla 13 ulottuman rajoitukset  
 HANDLING ON CAD SYSTEM ONLY

All Rights Reserved Äänneksen varoitus Some reserve de modification		Valmistaja pidättää oikeuden muutoksiin Reservation for ändringar	
:200	BRONTO SKYLIFT S 43 MDT 2000	DRAWN	BVJ
(A2)	OUTREACH DIAGRAM	APP V1	1998-08-07
SAFE WORKING LOAD 360 KG			
BRONTO SKYLIFT		LAYER	DWG NUMBER
BRONTO SKYLIFT OY AB FINLAND			F0012190
			BRONTOCAD